

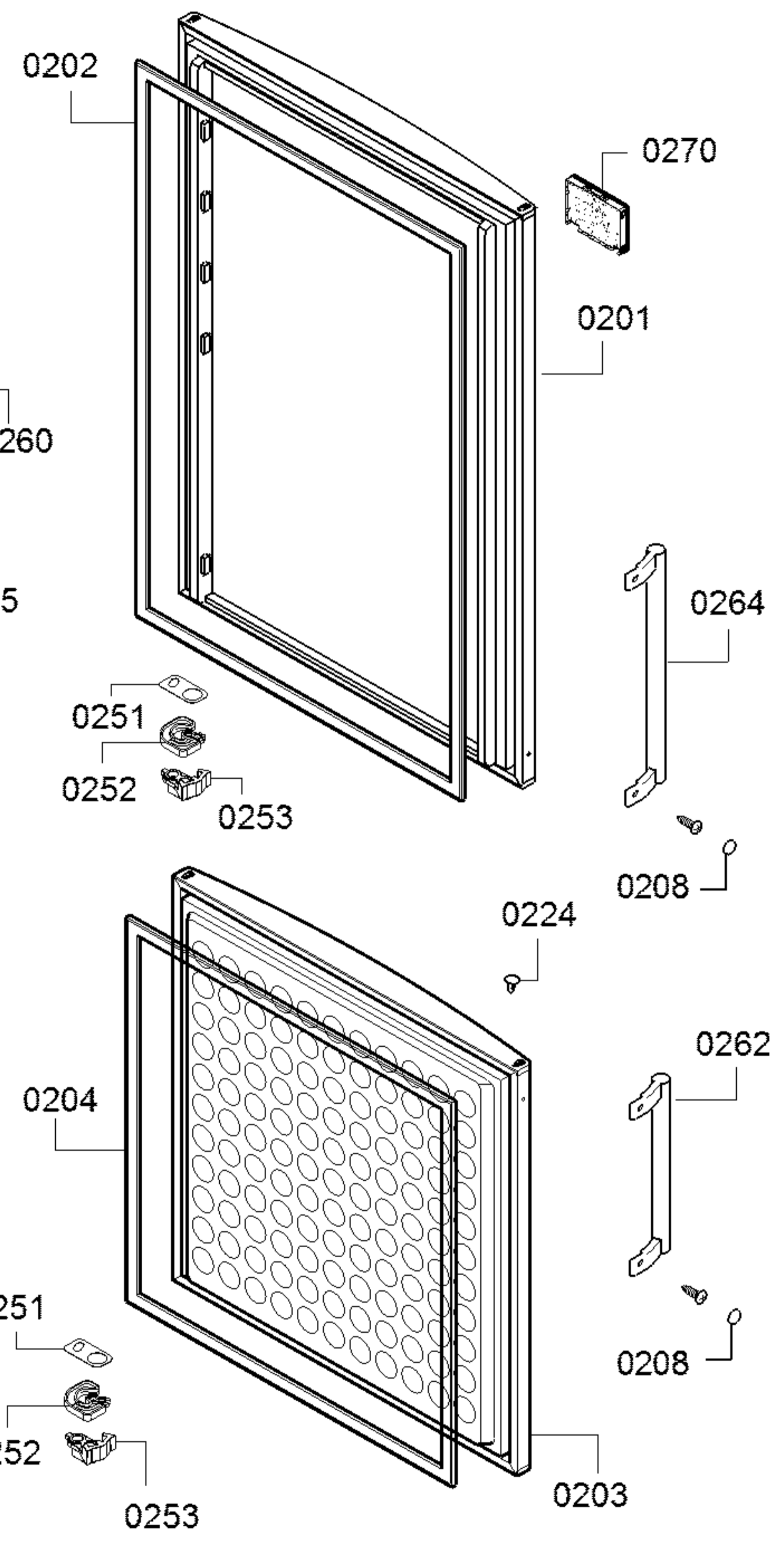
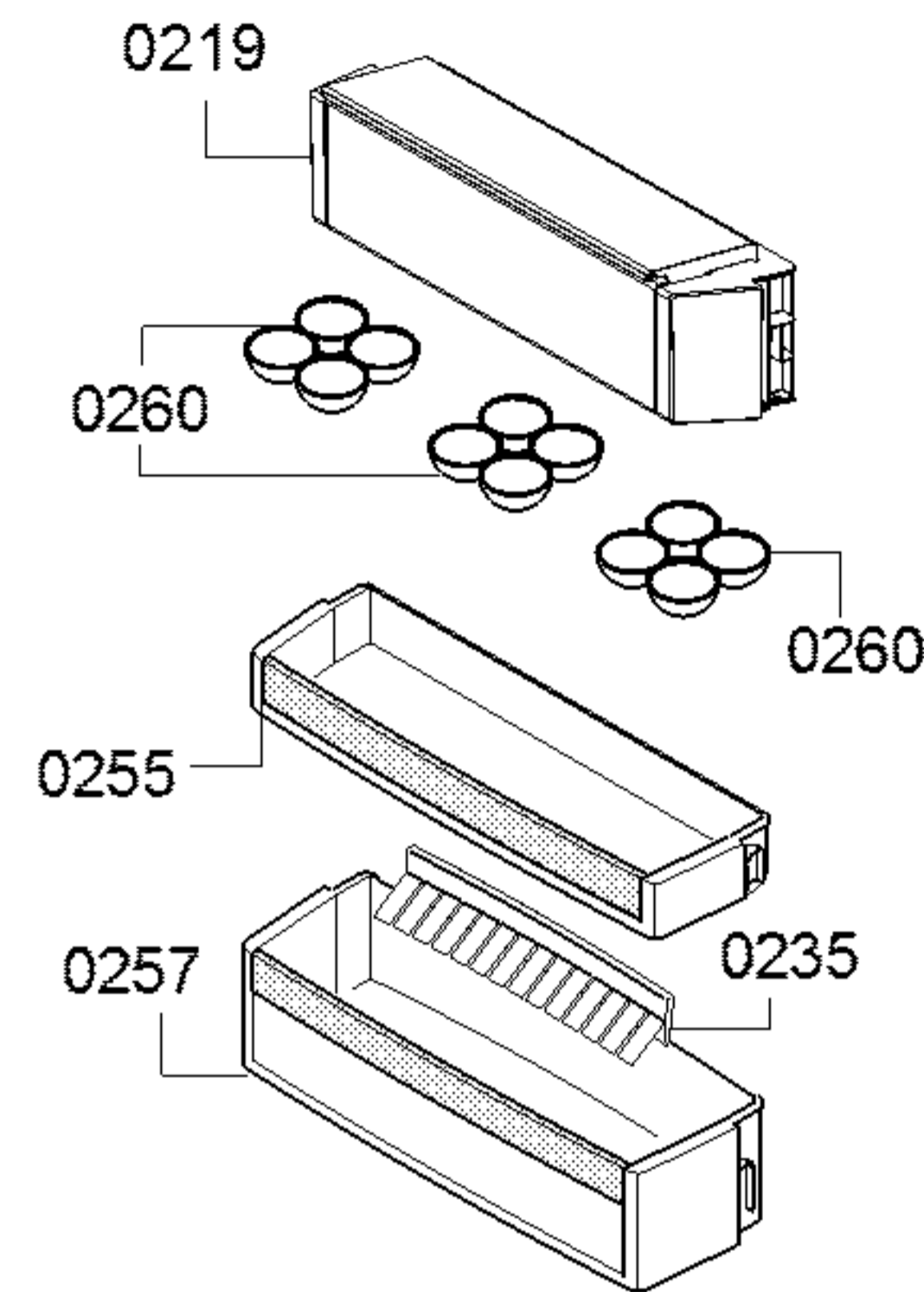
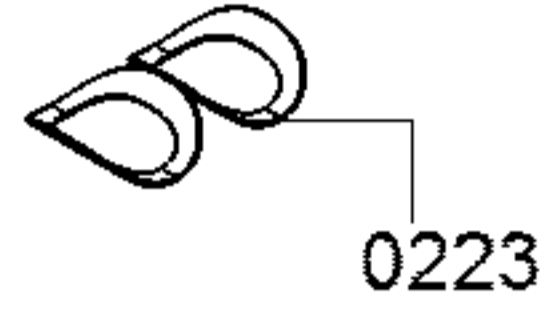
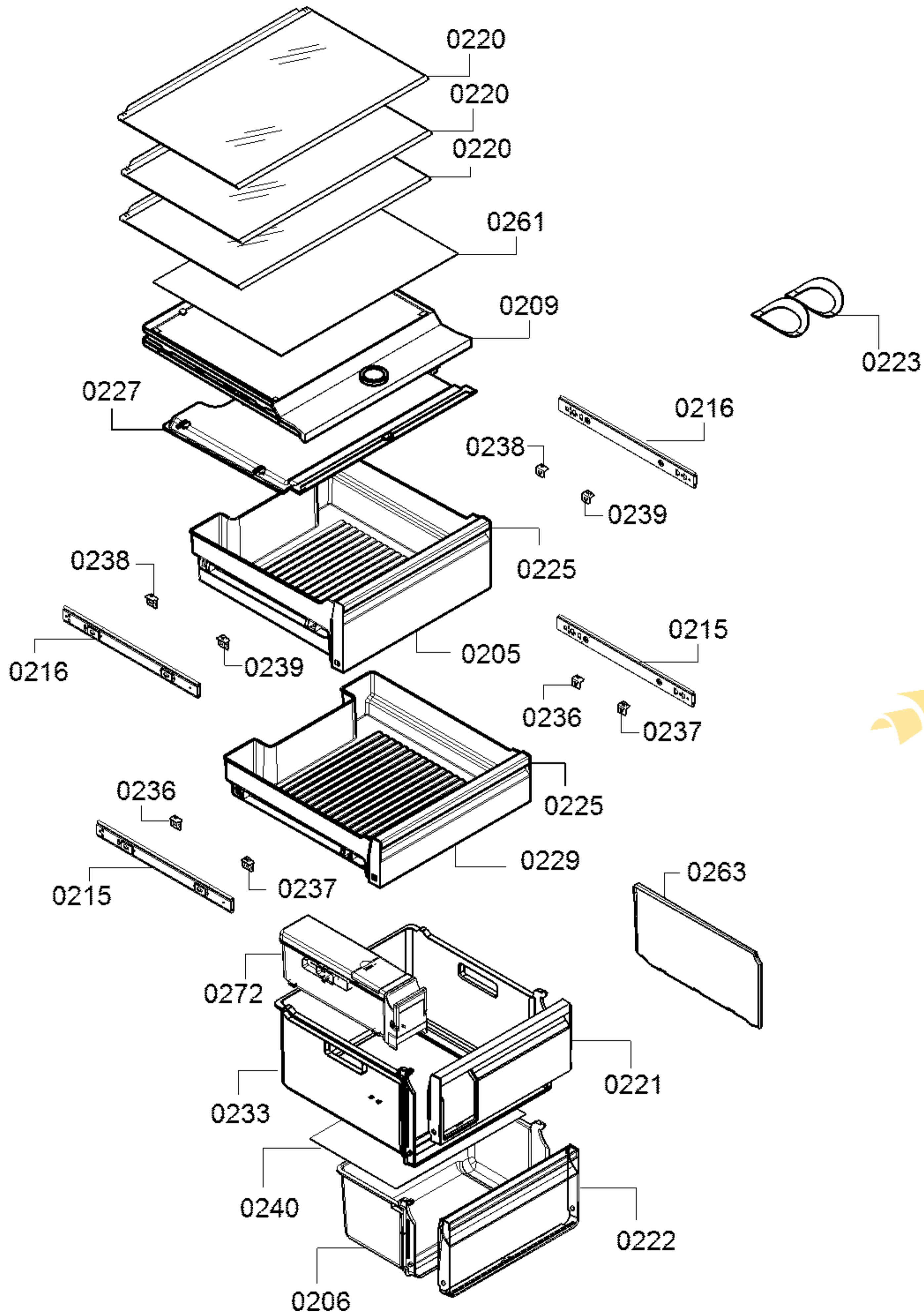
0199



0195

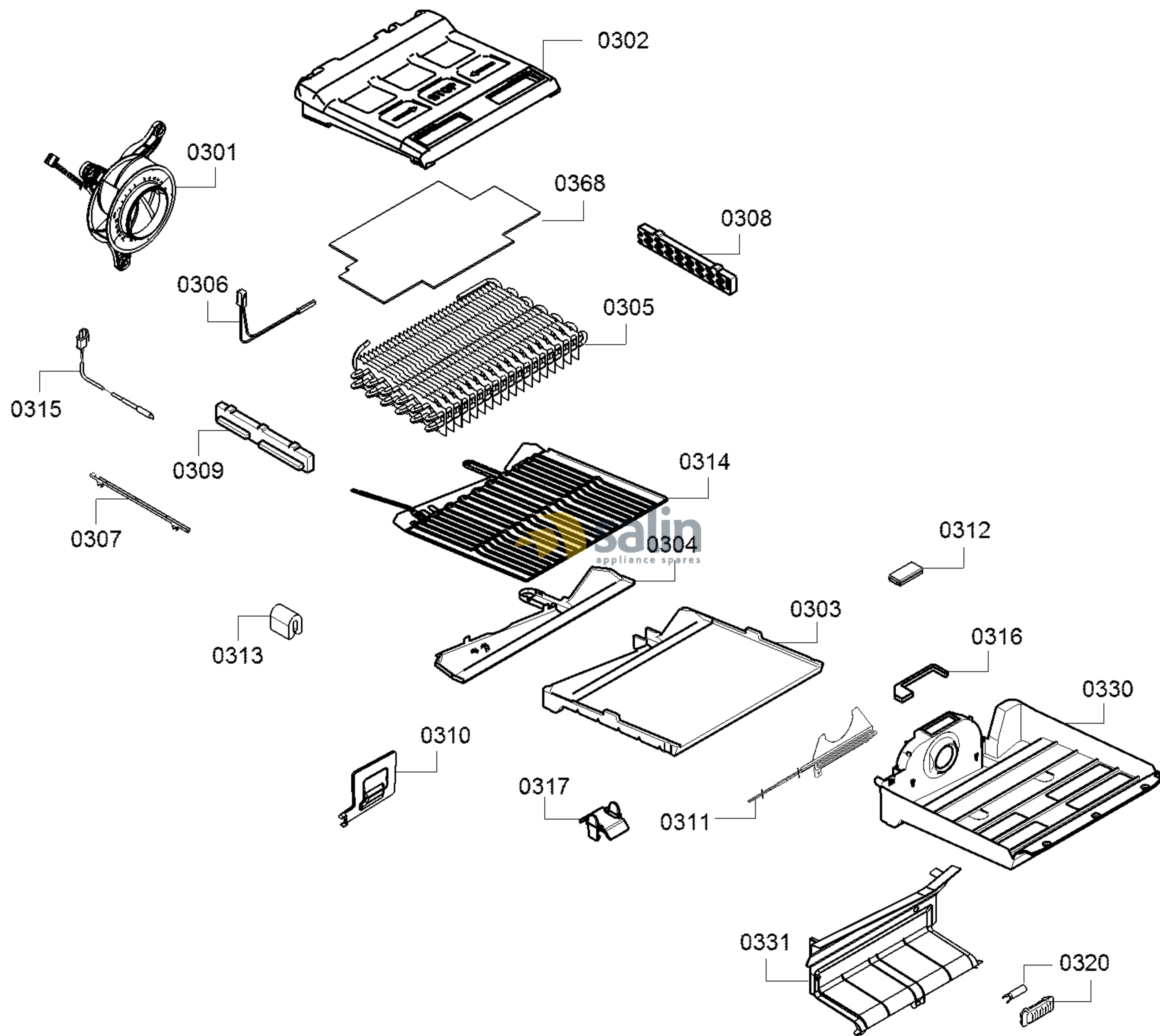
5830000203357 aet 000 a 1/4

FAMILY : KGN56PW32N
 MODEL NO: KGN56PW32N/06
 Check Position No/Part No or Replacement No



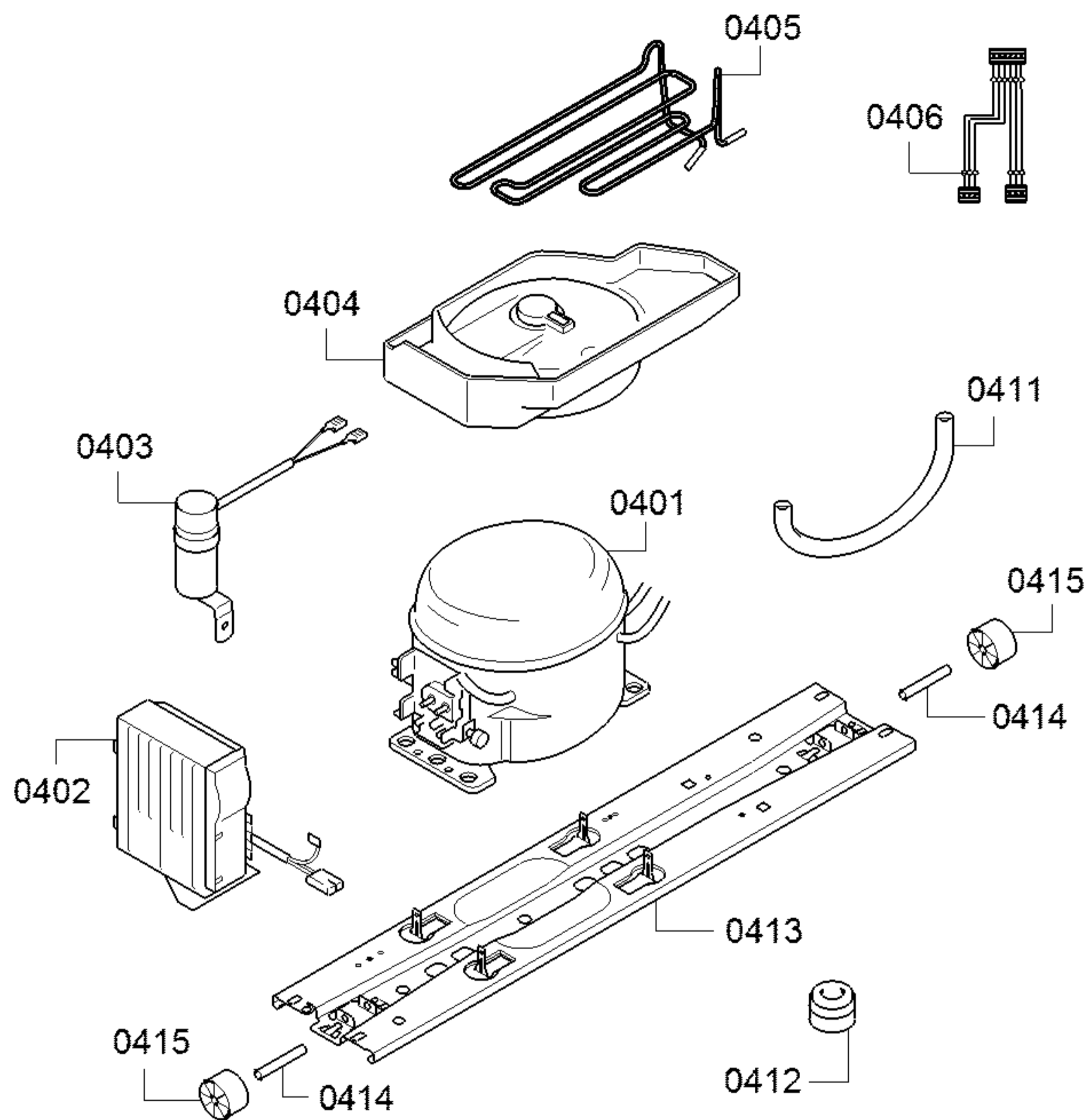
5830000203357 aet 000 a 2/4

FAMILY : KGN56PW32N
 MODEL NO: KGN56PW32N/06
 Check Position No/Part No or Replacement No



58300000203357 aet 000 a 3/4

FAMILY : KGN56PW32N
MODEL NO: KGN56PW32N/06
Check Position No/Part No or Replacement No



TECHNISCHE DATEN/TECHNICAL DATA/TEKNIK BILGILER			
Verdichter/Compressor/Kompresör Typ/Type/Tip Leistung/Power/Guc Anlaufstromm/Starting current/Giris akimi Widerstand/Resistance/Rezistans Ha/ Hi/aux.	W A Ω	JIAXIPERA NC1114Y	
Temp.Reyler/Thermostat/Termostat Typ/Type/Tip Reglerstellung/Position/Termostat pozisyonu Schaltwerte/Acma kapama degerleri Valeurs de commutation/Termostat degeri (..abtaven' od)	..ein/acma °C ..aus"/kapama ..alarm'		
Füllmenge/Fill. quantity/ Dolum miktari	R600 g	55	
Anschlusswert/Comm. load/Giris gucu	W		
Heizung/Heater/Rezistans Widerstand/Resistance/Direnc Leistung/Power/Guc	Ω W		
Ventilador/Blower/Vantilatör Widerstand/Resistance/Rezistans	Ω	-	
Magnetventil/Magnetic valve/Manyetik valf Widerstand/Resistance/Rezistans Spannung/Voltage/Gerilim	Ω V	-	
Temp.Reyler/Thermostat/Termostat		-	

* Siehe Typenschild /See identification plate /Voir plaquette de caractéristiques /Ver plaqueta de características