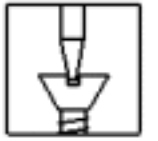
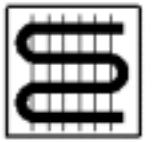


0199



0197



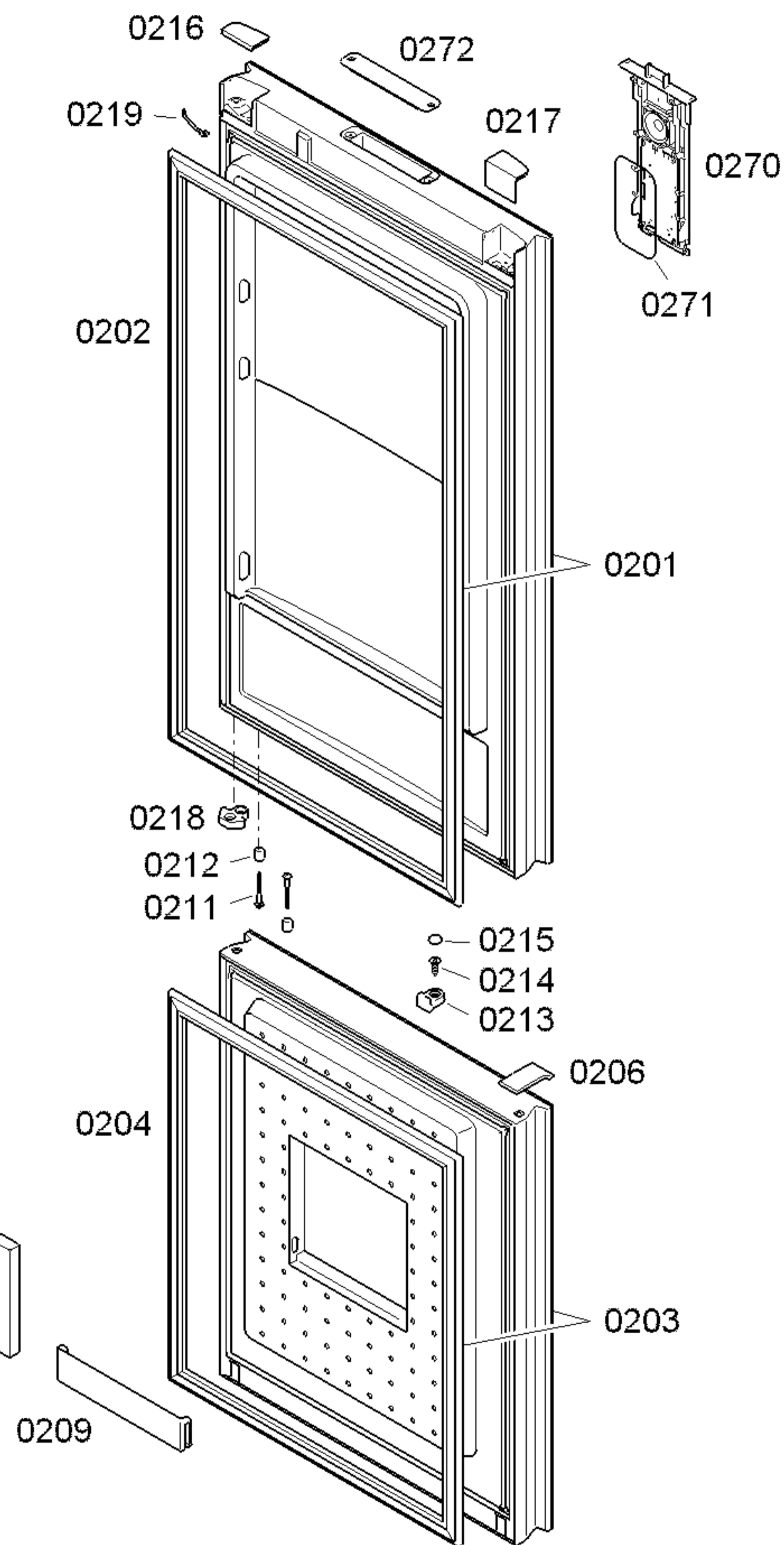
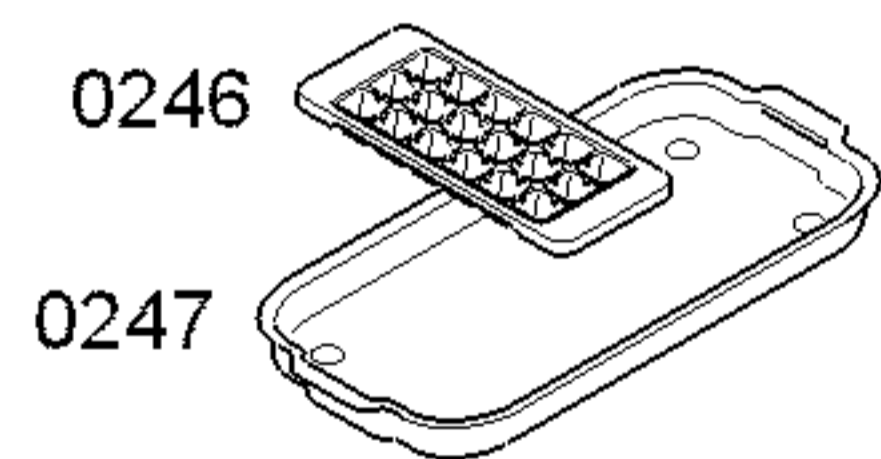
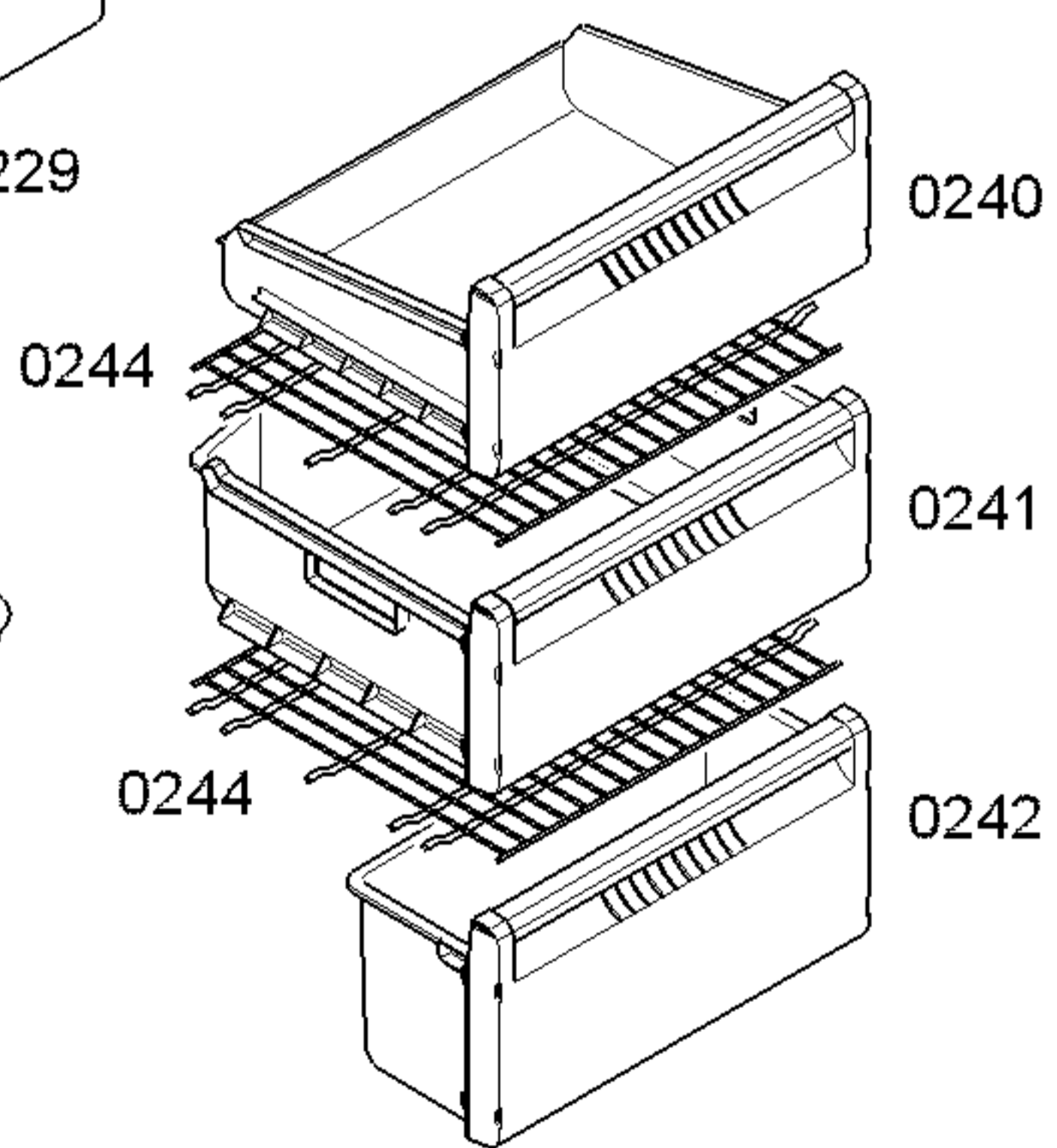
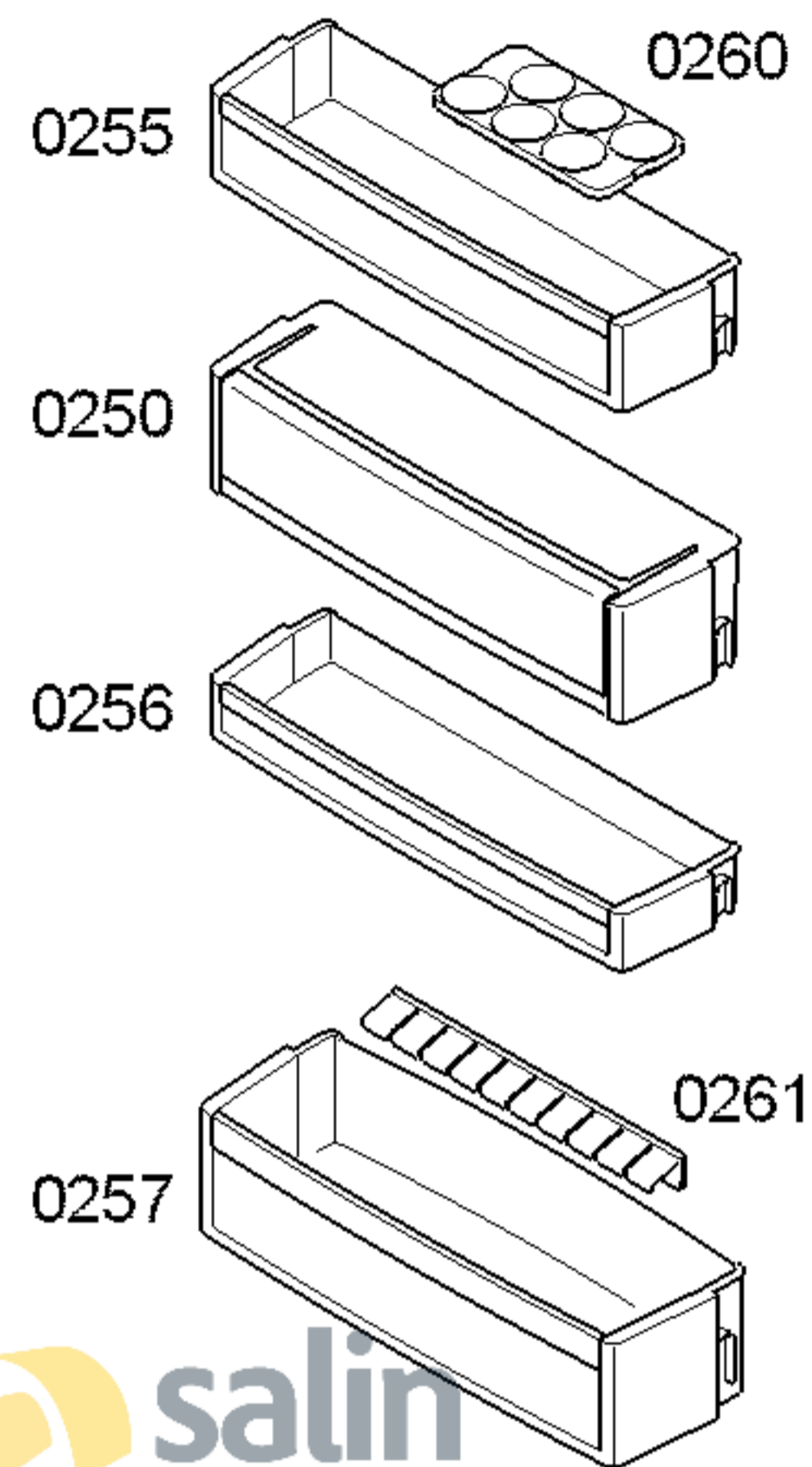
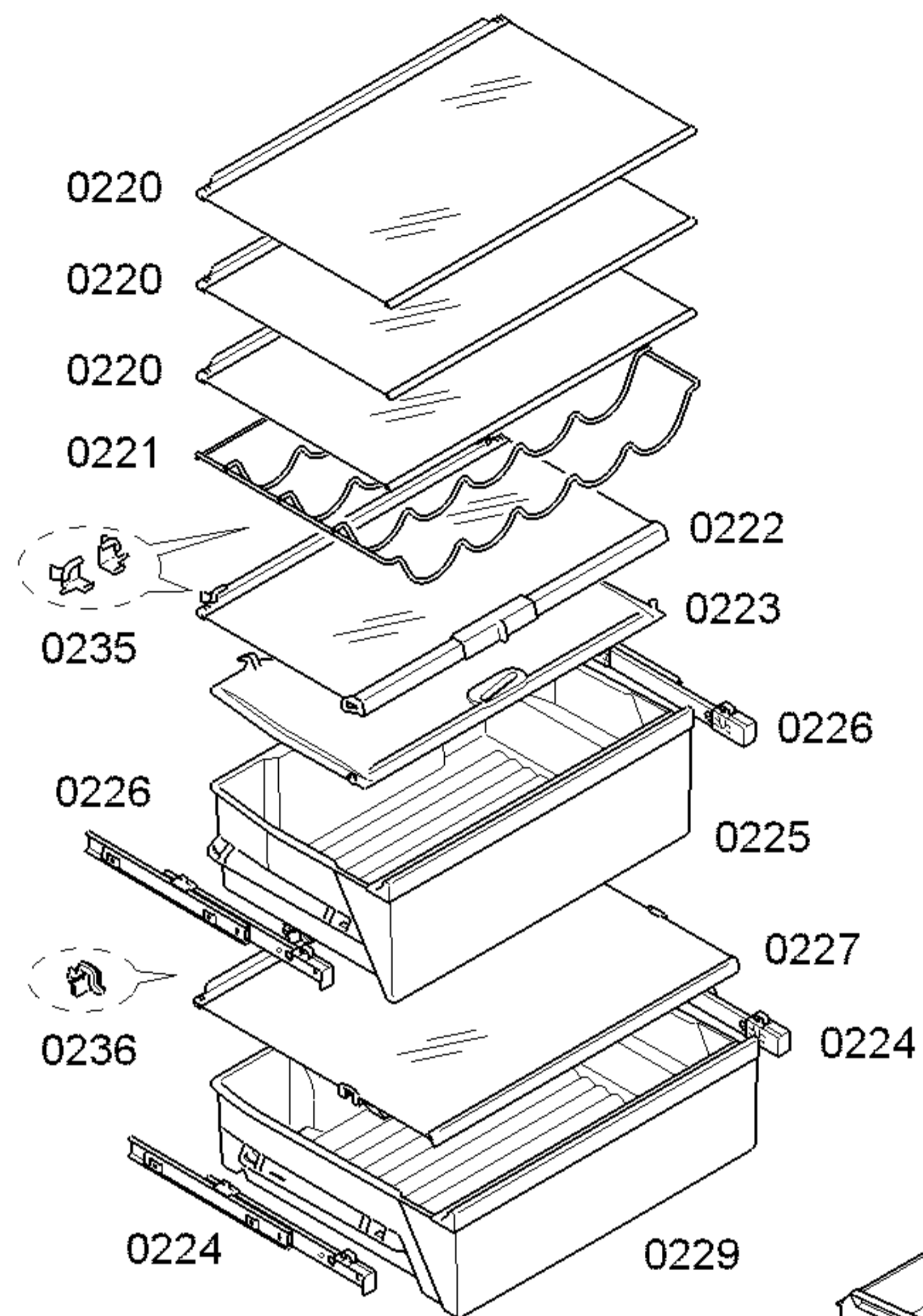
0195

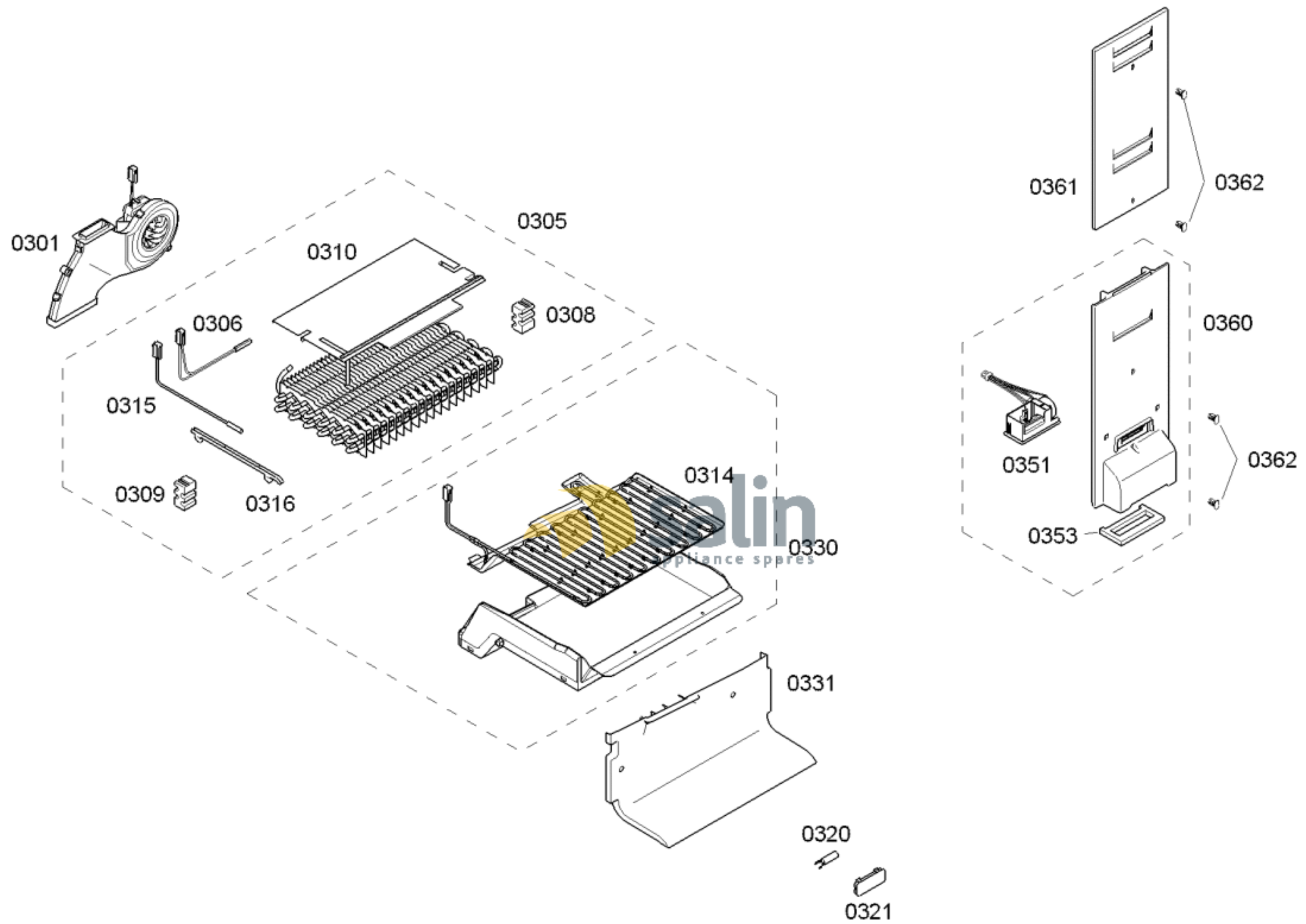
58300000192461 aet 000 a 1/4

FAMILY : KGN49SQ31

MODEL NO: KGN49SQ31/17

Check Position No/Part No or Replacement No



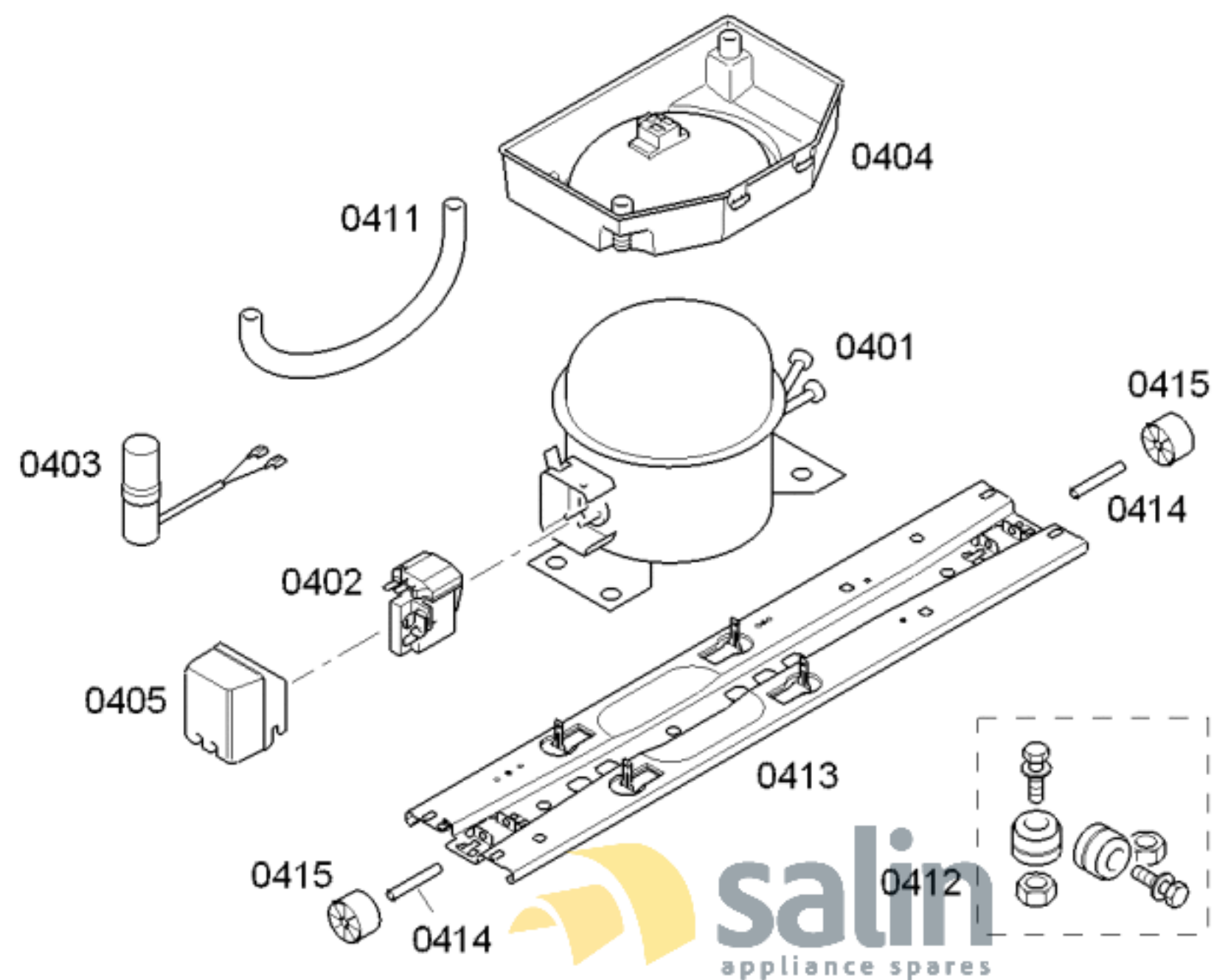


58300000192461 aet 000 a 3/4

FAMILY : KGN49SQ31

MODEL NO: KGN49SQ31/17

Check Position No/Part No or Replacement No



TECHNISCHE DATEN / TECHNICAL DATA / DONNEES TECHNIQUES / DATOS TECNICOS						
Test conditions: CECOMAF (evap. temp. -25°C)						
Verdichter/Compressor/Compresor		Danfoss	Jiaxipera	ACC	Jiaxipera	
Typ/Type/Tipo		NLX10KK.2	NS1114Y	HKK12AA	NB1114Y	
Anlaufkondensator/Runing capacitor/Condensador de marcha		YES	YES	YES	YES	
Stromverbraucht/Current consumption/Int. consumo	A	0,44	0,46	0,50	0,47	
Leistungsverbraucht/Power consumption/Potencia cons.	W	89,50	99,00	105,00	89,00	
C.O.P.	WW	1,49	1,31	1,42	1,48	
Kühlleistung/Cooling capacity/Potencia frigorifica	W	133	129	150	129	
Füllmenge/Fill. quantity/Charge/Carga	R600a.	g	*	*	*	*

\* Siehe Typenschild /See identification plate /Voir plaquette de caractéristiques /Ver plaqueta de características

58300000192461 aet 000 a 4/4

FAMILY : KGN49SQ31

MODEL NO: KGN49SQ31/17

Check Position No/Part No or Replacement No